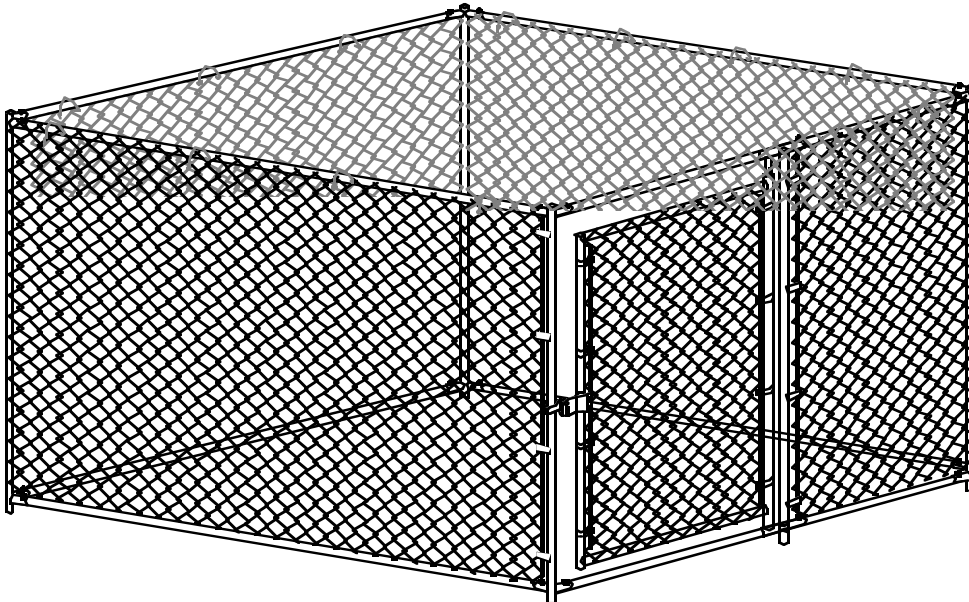


**LuckyDog** ™  
**Easy Ship**™

*Champion*™ Dog Kennel



1-800-955-2879 E-mail: [dgiworld@transport.com](mailto:dgiworld@transport.com)

IMPORTANT NOTICE! PLEASE READ INSTRUCTIONS COMPLETELY PRIOR TO ASSEMBLING YOUR LUCKY DOG EASY SHIP™ CHAMPION DOG KENNEL.  
 Watch for helpful assembly "Hints" when following these instructions.

TOOLS REQUIRED

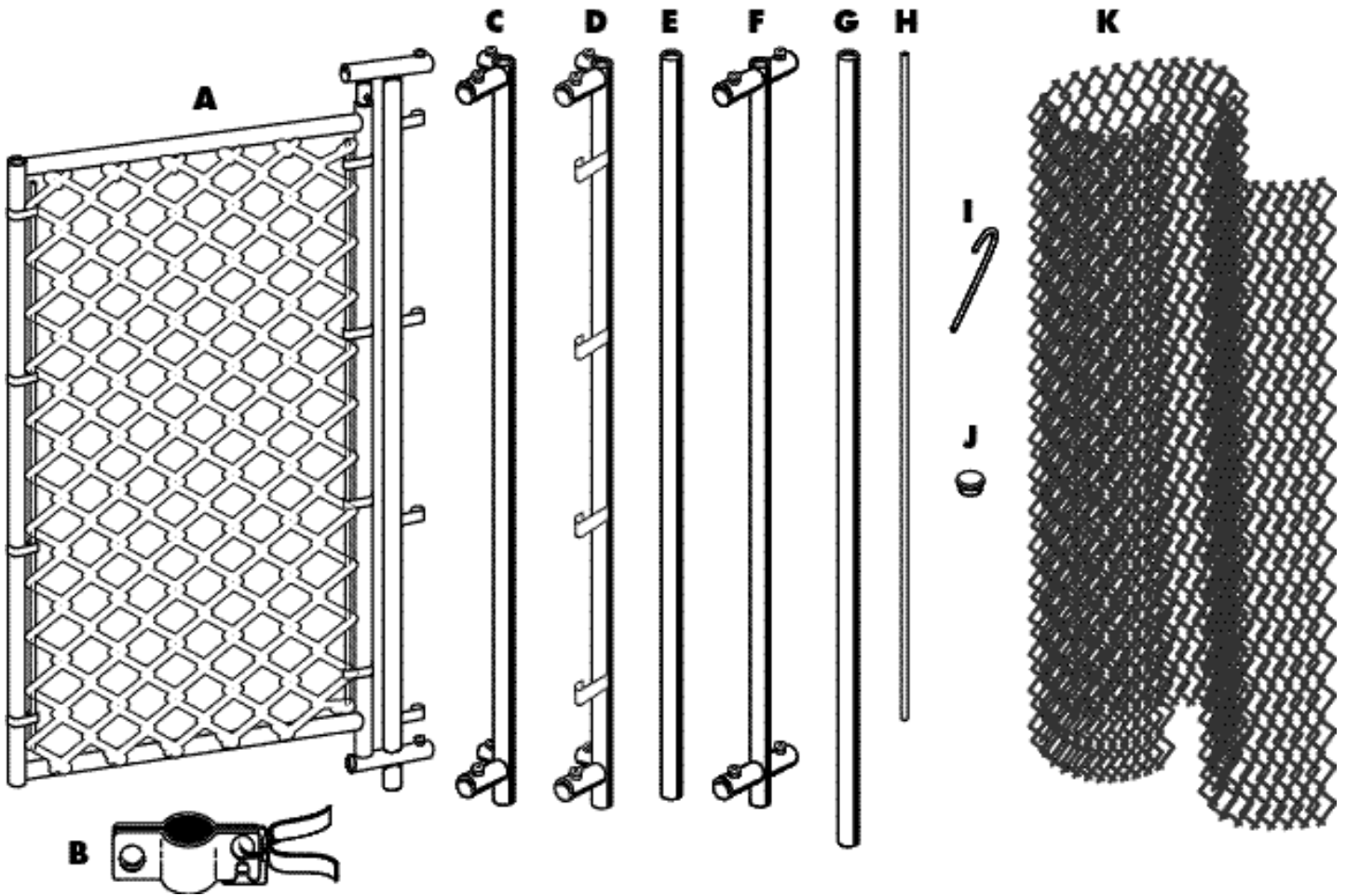
#2 Phillips screwdriver and Pliers



STEP # 1

PARTS LIST

Separate all parts and compare and familiarize yourself with them through review of the Parts List/Parts A through K.



Quantity per kennel length  
 5' 10' 15'

Quantity per kennel length  
 5' 10' 15'

A	24" Swing Gate with Stand	1	1	1
B	Lockable Fork Latch	1	1	1
C	Corner Stand NO Rod Clips	3	3	3
D	Corner Stand WITH Rod Clips	1	1	1
E	55" Upper & Lower End Rails	4	4	4
F	Center Stand	0	2	4

G	58" Upper & Lower Side Rails	4	8	12
H	Round Tension Rods	2	2	2
I	Steel Wire Ties	30	45	60
J	Stand Caps	4	6	8
K	Chainlink Roll	1	1	1

## STEP #2

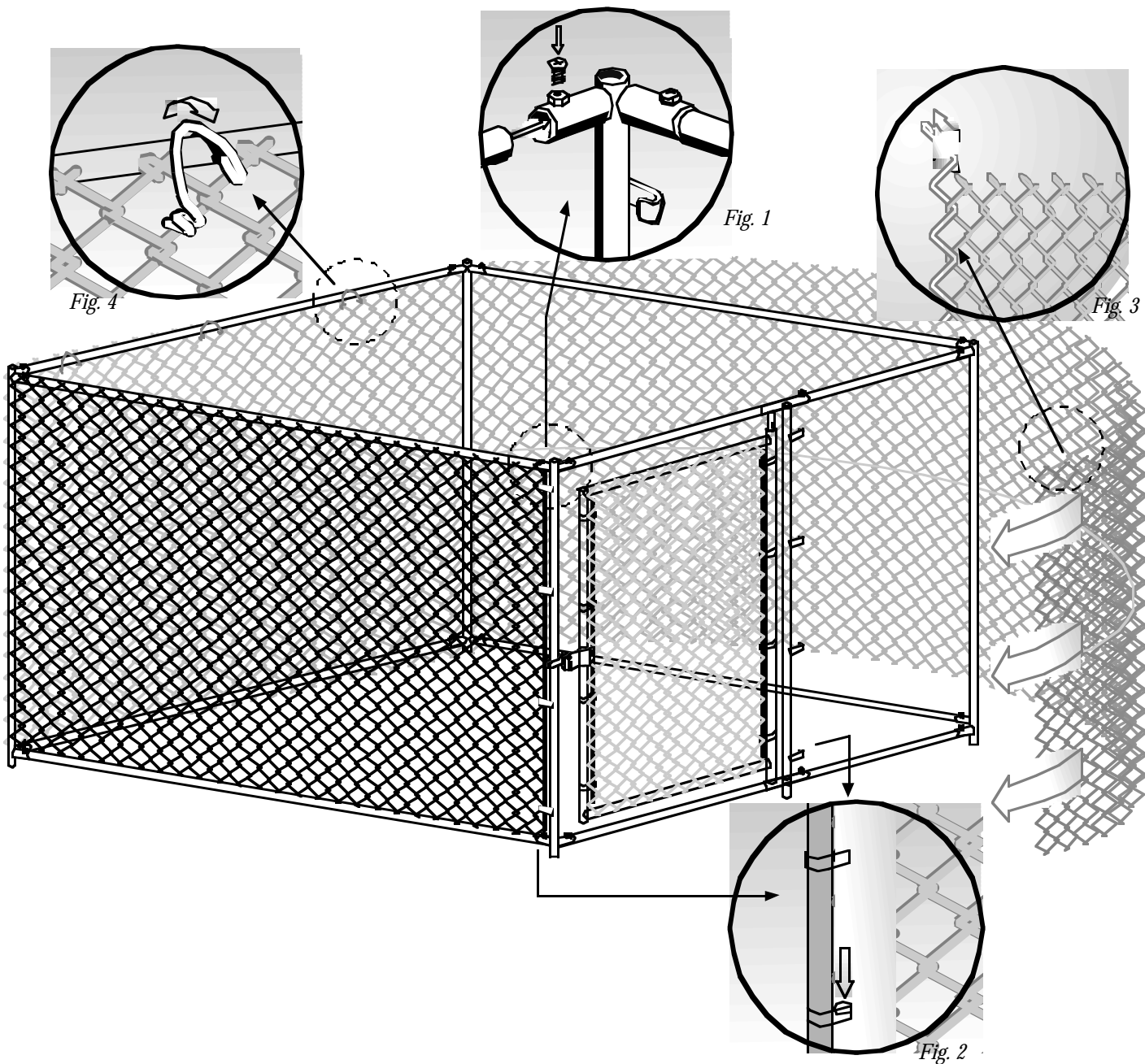
### SITE CHOICE AND GROUND PREPARATION

Choosing your kennel location is very important to the well being and safety of your pet/companion. The site should be flat and clear of foreign objects and should be protected from sun and other weather elements that may be harmful to your pet.

## STEP #3

### FRAMEWORK ASSEMBLY

You will note that the pre-assembled gate is pre-hung on the gate stand (Part A) and is constructed to allow the 55" upper and lower end rails (Part E) to slide through receiver tubes at the top and bottom of the gate stand. To accomplish this, simply loosen the set screws on the receiver tubes and lay the gate frame with chainlink mesh side down flat on the ground. Slide the end rails through the receiver tubes. DO NOT TIGHTEN SET SCREWS AT THIS POINT.



**Hint!** The Lucky Dog Easy Ship™ Champion Kennel features a 1" extension on the bottom side of each stand. This allows the kennel to sit above the ground surface for easy cleaning and air flow to lessen the potential for bacterial buildup. Make sure all extensions are on the bottom.

#### STEP #4

Attach corner stand with rod clips (Part D) to latch end of upper and lower end rails just installed and tighten set screws of corner stand. (Figure 1)

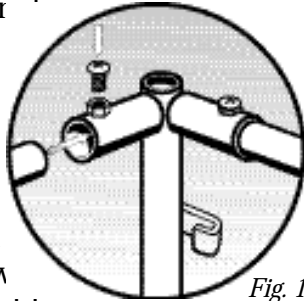


Fig. 1

**Hint!** Use caution not to over tighten set screw to avoid damaging the welds.

#### STEP #5

Attach corner stand with no rod clips (Part C) to opposite end of end rails and tighten set screws.

#### STEP #6

Now you are ready to install the bottom two 58" side rails (Part G) into the bottom receiver tubes of the corner stands just installed and tighten set screws. At this point, carefully stand the entire gate side of kennel upright and install the top two 58" side rails into the top receiver tubes and tighten set screws.

#### STEP #7

If you have purchased a 5' long kennel, you will now install the remaining two corner stands (Part C) and remaining two upper and lower end rails (Part E). If you have purchased a 10' or 15' long kennel, you must continue to install the side rails using the center stands (Part F) until you have completed the full length of your kennel. Now install your remaining two corner stands and two remaining upper and lower end rails as first outlined in this section.

**Hint!** There is one side section on a 5' long kennel, two side sections on a 10' long kennels and three side sections on a 15' long kennel.

#### Galvanized chainlink mesh installation important Hint!

For ease of shipping the compact roll of chainlink mesh is folded versus rolled. The recommended handling of this mesh is to

unfold it onto a flat surface checking along the top and bottom for pickets that may have come unhooked from each other or that need to be twisted back into place. After checking, roll the chainlink back up in the manor that you would roll up a carpet. This will insure ease of handling when proceeding with the final installation steps.

#### STEP #8

Stand roll of chainlink next to the corner stand with rod clips (Part D) and insert a round tension rod (Part H) into end of mesh and hook the rod into the rod clips as shown in Figure 2

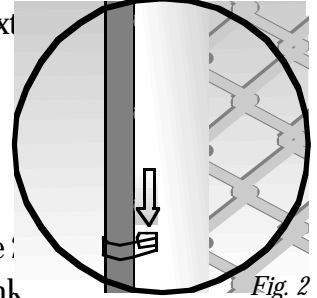


Fig. 2

**Hint!** Attach chainlink mesh to upper side rail using a steel tie wire (Part J) to insure the mesh stays at proper height.

#### STEP #9

Unroll chainlink mesh around the outside of the kennel frame. Pulling mesh tight at each center and/or corner stand, use a steel tie wire (Part I) to secure the top and bottom of the mesh to the top and bottom rail so the mesh will not slide back and become loose.

#### STEP #10

Once you have completely unrolled the chainlink mesh around the entire kennel frame, you will install the final round tension rod into the rod clips on the hinge side of the gate.

**Hint!** The chainlink mesh is pre-cut to easily fit the kennel size however the exact mesh length is not always possible. Therefore, one or more chainlink pickets may need to be removed to insure proper tension on the mesh. If pickets need to be removed, straighten out as many pickets as necessary at top and bottom and twist out the picket until proper length is achieved (figure 3).

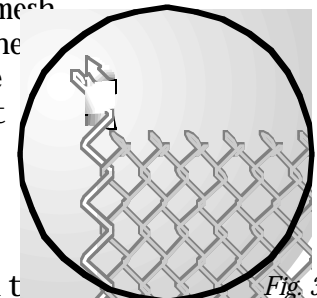


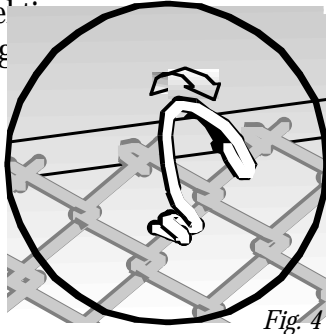
Fig. 3

## STEP # 1 1

Install the lockable fork latch (Part B) on the latch side of the gate. Tighten bolts until latch is firmly attached to gate frame. Pull the gate frame toward the corner stand until the proper distance between corner stand and gate frame is achieved (approximately 2" gap). Make sure latch opens/closes easily. Now tighten the final set of screws on the gate stand (Part A).

## STEP # 1 2

Using the remaining steel tie wires (Part I), begin tying the mesh securely to all top and bottom rails (Figure 4). Make sure the tail end of the tie wire is always pointing outside the frame to insure your pet does not come in contact with it. The bottom tie wires should be approximately 12" apart and top rail ties approximately 18" apart. If any additional tie wires are left, you can use them at the corner and/or center stands.



## STEP # 1 3

Insert stand caps (Part J) into top opening of corner and center stands.

You now have a complete "top quality" chainlink kennel that will last for years!

There is however one last extremely important step remaining: Introduction of your pet/companion to their new safety enclosure!

**EXTREMELY IMPORTANT!** Pet/companions are very comfortable in this safety enclosure: however, it is suggested that there be a brief introduction period to acclimate your pet/companion. To begin this process, place your pet in the kennel for short periods of time (10-20 minutes) throughout the day while you are able to observe their behavior. If your pet begins to show signs of discomfort or nervousness (e.g., barking or whining) administer verbal correction from a distance. As the training continues, gradually increase the duration of stays inside the kennel until the pet has become completely comfortable with their new surroundings. Providing play things for your pet/companion will also comfort them. Also, insure that clean and adequate water and food is available at all times.

**REMEMBER,** verbal and physical affection will aid your pet/companion to be completely satisfied with their new safety enclosure.

**LuckyDog** ™  
**Easy Ship**™

**Champion™ Dog Kennel**

LIMITED EXPRESS WARRANTY

DGI Worldwide Inc. warrants your Lucky Dog Easy Ship™ Kennel to be free of defects in workmanship and further warrants that under normal use will be free of problems for one full year from date of purchase by original purchaser.

DGI WORLDWIDE, INC. WILL NOT HAVE OTHER OR GREATER LIABILITY FOR DEFECTS NOR WILL DGI WORLDWIDE, INC. HAVE ANY LIABILITY FOR INCIDENTAL OR CONSEQUENTIAL DAMAGES.

Some states do not allow the exclusion or limitation of incidental or consequential damages, so the above limitation or exclusion may not apply to you. If you discover a defect in the kennel during the warranty period and wish to obtain replacement parts or have questions send notice of claim to:

DGI Worldwide, Inc.  
25150 S. Metzler Pk Rd.  
Estacada, OR 97023

Include your return address and a copy of the original invoice or further proof of the date of purchase plus a description of the claimed defect.

All implied warranties of merchantability and fitness for particular purpose are limited in duration to one (1) year from date of purchase. Some states do not allow limitations on how long an implied warranty lasts, so the above limitations may not apply to you. This warranty gives you specific legal rights and you may also have other rights which may vary from state to state.

The staff and management of DGI Worldwide, Inc. would like to thank you for your purchase of our products!



If you experience any problems or require replacement parts, please call customer service at 1-800-955-2879 or email [dgiworld@transport.com](mailto:dgiworld@transport.com)